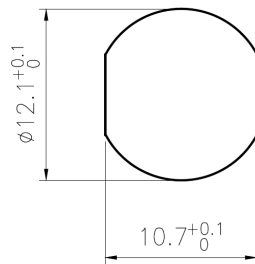
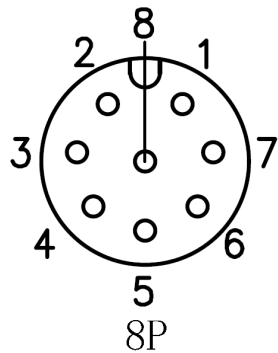
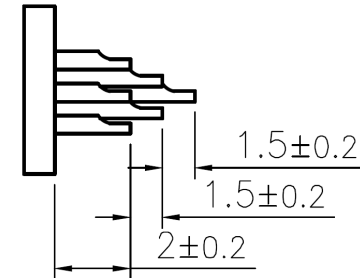
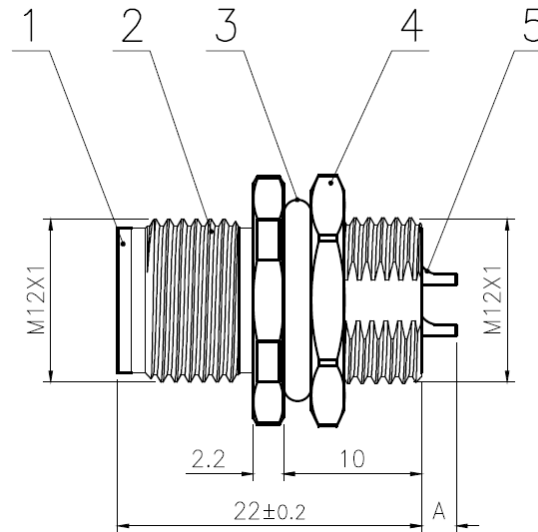
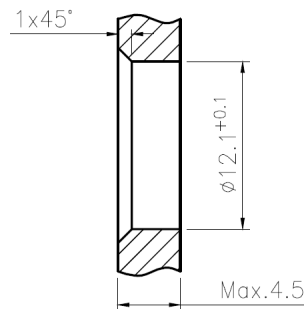


5	M12 焊线式公针	黄铜	镀金	pc	2~17
4	锁板六角螺母 M12×1	黄铜	镀镍	pc	1
3	M12 法兰外壳O型圈 $\phi 12 \times \phi 8 \times 2$	橡胶	/	pc	1
2	M12 板前安装插座公头外壳 锁板螺纹M12×1	黄铜	镀镍	pc	1
1	M12 短体公胶芯	尼龙	/	pc	1
No.	Specification	Material	Treat	Unit	Q'ty

REV.	ECN. NO.	APPD.
A	WL-20-008	Jerry. Zhang



面板开孔尺寸



X.±	X.±	UNITS	mm	NAME(INTENDED USE)		
.X± 0.3	.X'±	MAT'L		M12 8P A-CODING 公端 焊线式 后锁		
.XX± 0.20	.XX'±	SEE NOTES		PART NO.(INTENDED USE)	CLASS: <input type="checkbox"/> CONFIDENTIAL <input type="checkbox"/> SECRET <input checked="" type="checkbox"/> GENERAL	
.XXX±	.XXX'±	FINISH		WL12-7201	TITLE: CONN DRAWING	
<small>THESE DRAWINGS AND SPECIFICATIONS ARE THE PROPERTY OF INCEL INTERCONNECT TECHNOLOGY LIMITED, AND SHALL NOT BE REPRODUCED, COPIED OR USED IN ANY MANNER WITHOUT THE PRIOR WRITTEN CONSENT OF INCEL INTERCONNECT TECHNOLOGY LIMITED.</small>				APPD: yuan. wu 08/16~20	DWG NO.: WL12-7201-0009	
				Q'TY	CHKD: lei. wang 08/16~20	DWG NO.:
				DRAW: min. sun 08/16~20		N/A 1/1 A