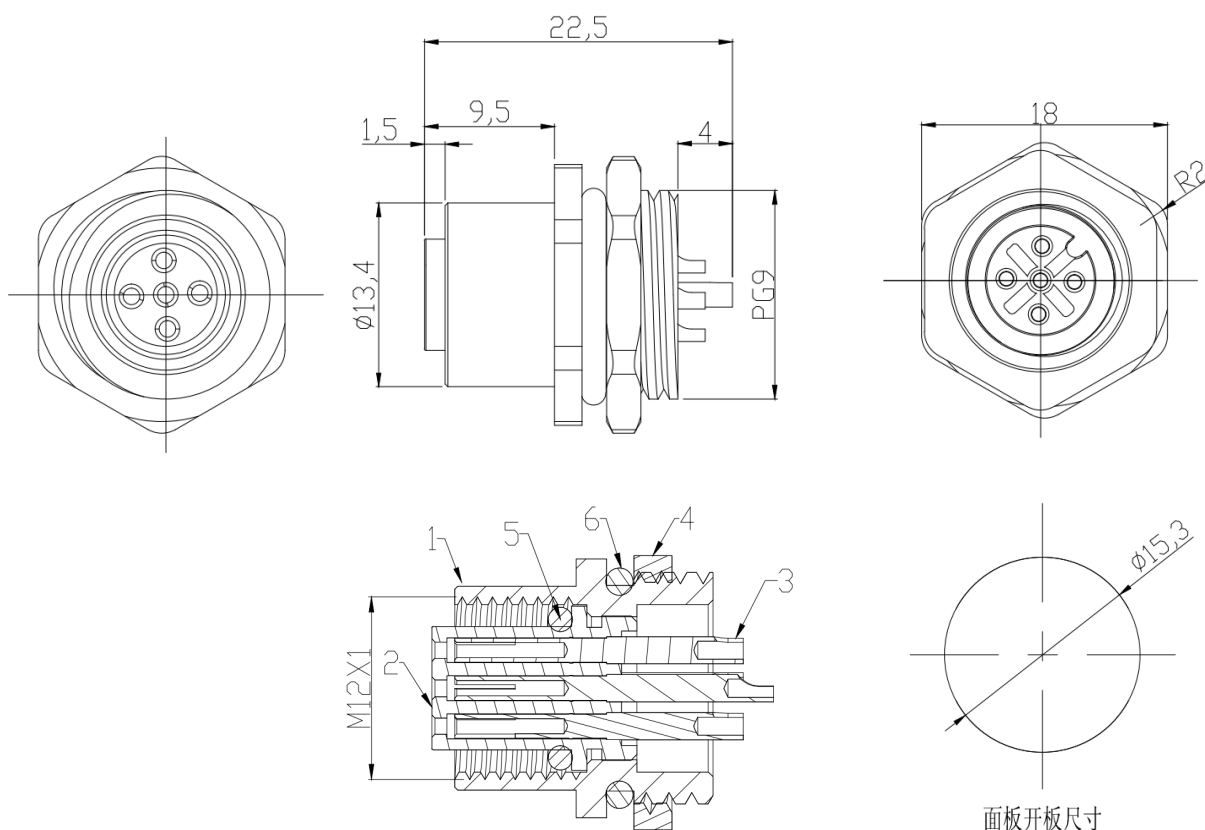


REV.	ECN. NO.	APPD.
A	WL-20-008	Jerry. Zhang



- 技术参数:
1. 材料符合环保要求, 连接器对插符合IEC 61076-2-101
 2. 连接器防护等级: IP67级
 3. 工作温度: -40~+85度
 4. 机械寿命: >100插拔周期
 5. 额定电压: 125V
 6. 额定电流: 4A
 7. 触点材料: 锡青铜
 8. 绝缘体材料: PBT+30%GF
 9. 触点电镀材料: 金0.1微米
 10. 触点电阻: $\leq 3m\Omega$
 11. 外套材料: 铜

编号	产品名称	备注
6	密封圈	NPR
5	密封圈	NPR
4	螺母	H59
3	插孔	QSN4-3
2	绝缘体	PBT+30%GF
1	外套	H59

X.±	X.±	UNITS	mm	NAME(INTENDED USE)	
.X± 0.3	.X±	MAT'L		M12 5P A-CODING 母端 焊线式 后锁	
.XX± 0.20	.XX±	SEE NOTES		PART NO.(INTENDED USE)	CLASS: <input type="checkbox"/> CONFIDENTIAL <input type="checkbox"/> SECRET <input checked="" type="checkbox"/> GENERAL
.XXX±	.XXX±	FINISH		WL12-2101	TITLE: CONN DRAWING
<small>THESE DRAWINGS AND SPECIFICATIONS ARE THE PROPERTY OF INCEL INTERCONNECT TECHNOLOGY LIMITED, AND SHALL NOT BE REPRODUCED, COPIED OR USED IN ANY MANNER WITHOUT THE PRIOR WRITTEN CONSENT OF INCEL INTERCONNECT TECHNOLOGY LIMITED.</small>				APPD: yuan. wu 08/16~20	DWG NO.: WL12-2101-0007
				Q'TY	CHKD: lei. wang 08/16~20
				DRAW: min. sun 08/16~20	N/A 1/1 A