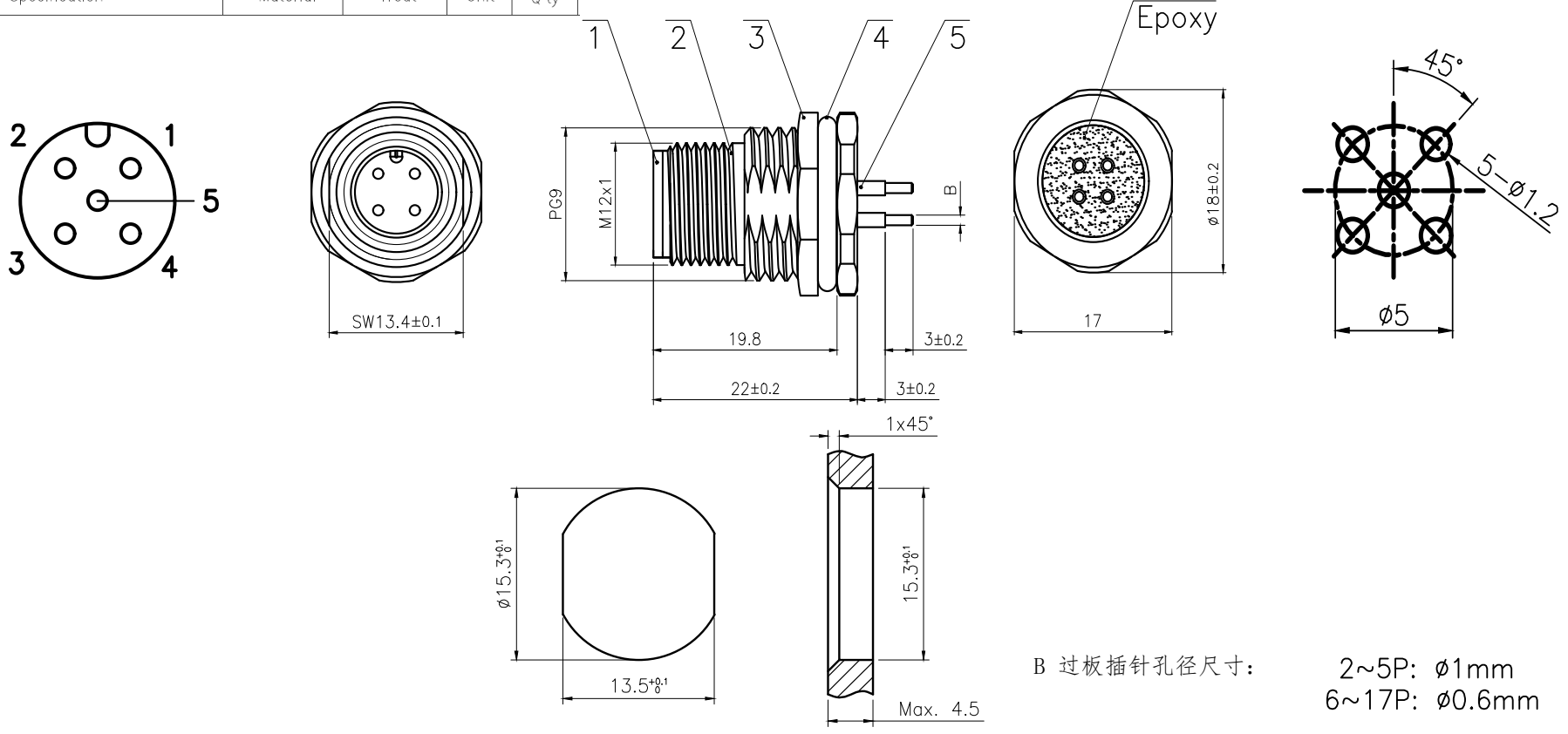


5	M12 插板式公针	黄铜	镀金	pc	2~17
4	M12 法兰座外壳0型圈 $\phi 16 \times \phi 12 \times 2$	橡胶	/	pc	1
3	M12 锁板六角螺母 PG9	黄铜	镀镍	pc	1
2	M12 板后安装插座公头外壳 PG9	黄铜	镀镍	pc	1
1	M12 常规公胶芯	尼龙	/	pc	1
No.	Specification	Material	Treat	Unit	Q'ty

REV.	ECN. NO.	APPD.
A	WL-20-008	Jerry. Zhang



面板开孔尺寸

B 过板插针孔径尺寸: 2~5P: $\phi 1\text{mm}$
6~17P: $\phi 0.6\text{mm}$

技术 参 数	芯数	2	3	4	4D	5	5B	6	8	12	17
	额定电流/电压	4A/250V	4A/250V	4A/250V	4A/250V	4A/60V	4A/60V	2A/30V	2A/30V	1.5A/30V	1.5A/30V
	额定脉冲电压	2500V	2500V	2500V	2500V	1500V	1500V	800V	800V	800V	800V
	绝缘电阻(M Ω)	≥ 100	≥ 100	≥ 100	≥ 100	≥ 100	≥ 100	≥ 100	≥ 100	≥ 100	≥ 100
	接触电阻(m Ω)	≤ 5	≤ 5	≤ 5	≤ 5	≤ 5	≤ 5	≤ 5	≤ 5	≤ 5	≤ 5

X.±	X.±	UNITS	mm	NAME(INTENDED USE)	
.X± 0.3	.X±	MAT'L	SEE NOTES	M12 5P A-CODING 公端直PCB板式 前锁	
.XX± 0.20	.XX±	FINISH		PART NO.(INTENDED USE)	CLASS: <input type="checkbox"/> CONFIDENTIAL <input type="checkbox"/> SECRET <input checked="" type="checkbox"/> GENERAL
.XXX±	.XXX±	Q'TY		WL12-7201	TITLE: CONN DRAWING
THESE DRAWINGS AND SPECIFICATIONS ARE THE PROPERTY OF INCEL INTERCONNECT TECHNOLOGY LIMITED, AND SHALL NOT BE REPRODUCED, COPIED OR USED IN ANY MANNER WITHOUT THE PRIOR WRITTEN CONSENT OF INCEL INTERCONNECT TECHNOLOGY LIMITED.				APPD: yuan. wu 08/16~20	DWG NO.: WL12-7201-0047
				CHKD: lei. wang 08/16~20	SCALE SHEET REV.
				DRAW: min. sun 08/16~20	N/A 1/1 A

IDEAS GENERATED DRAWING. DON'T CHANGE BY HAND.